

THE SCIENCE



OF SURVIVAL

*COBHAM*

**PRODUCT MOUNTING TEMPLATES**

**RCL-75//  
Remote Control Searchlight System**

**Product No.: 1946**

**Y1-03-0158-1 Rev. B**

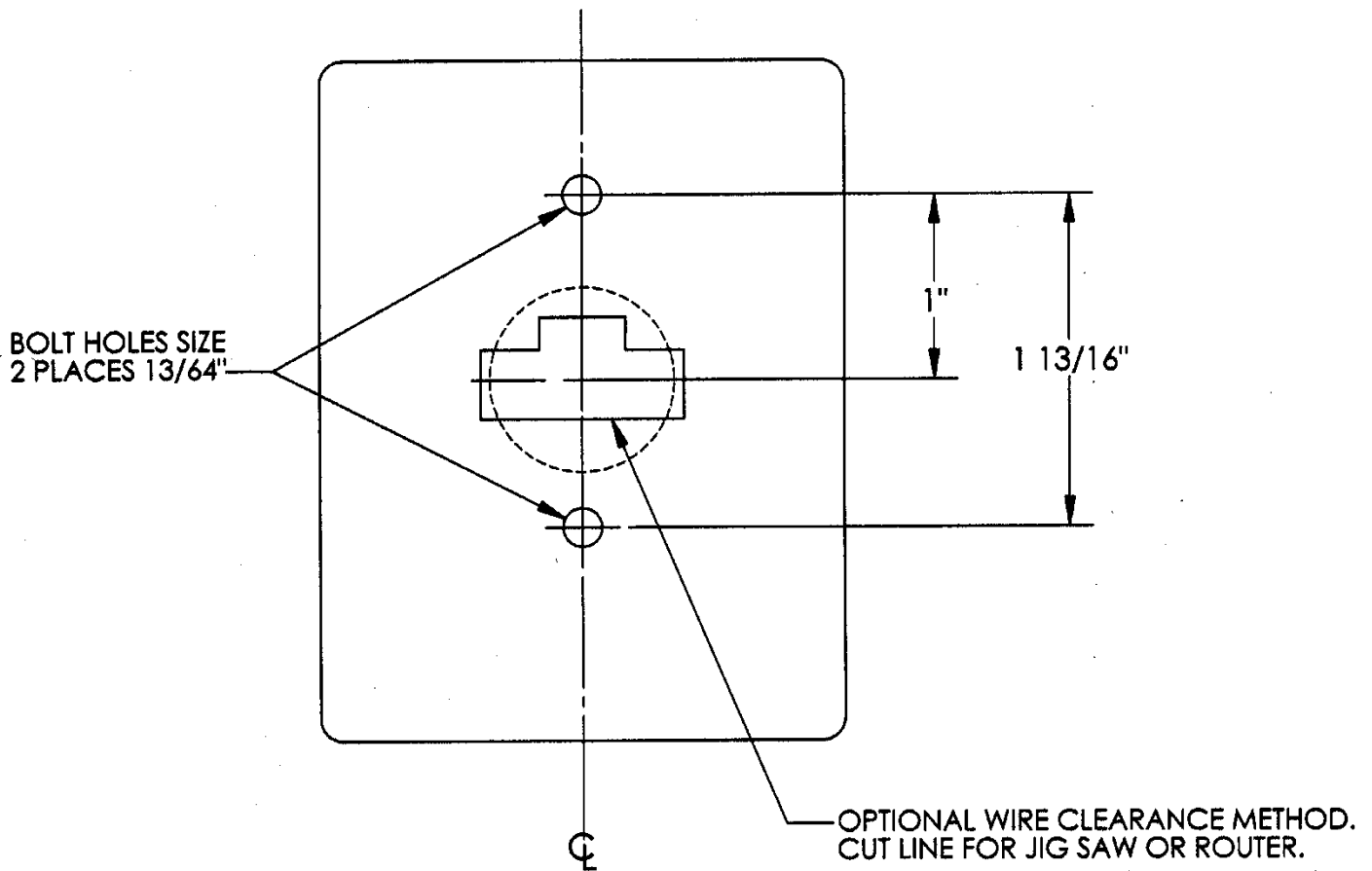


ACR Electronics, Inc. // 5757 Ravenswood Road // Fort Lauderdale // FL // 33312-6645

Tel: +1 (954) 981-3333 // Fax: +1 (954) 983-5087 // [www.acrelectronics.com](http://www.acrelectronics.com)

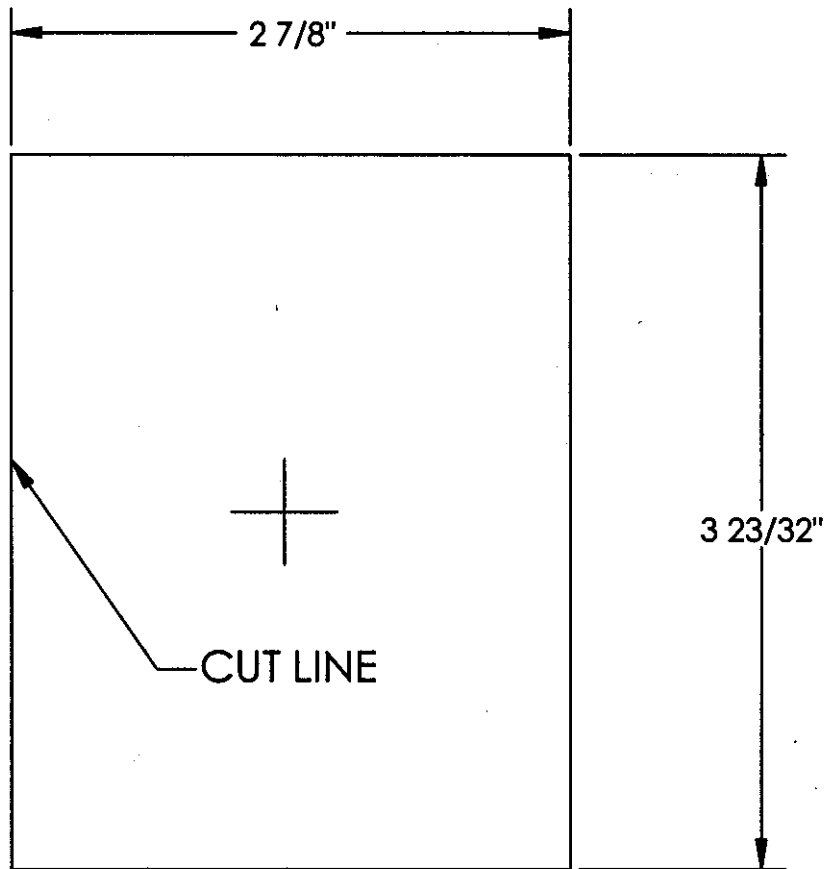
WIRE CLEARANCE HOLE SIZE  
1" DIAMETER MINIMUM

⌀



**Remote Control Point Pad™  
Surface Mount Template**

**NOTE:** If mounting template is obtained from the ACR website, any electronic media, or from a photocopy, please verify the dimensions of the scale shown with actual measuring device. Duplicate templates may not be of true 1:1 scale. Any deviation should be considered when using mounting template.



Use U-Clamp to secure control switch

**Remote Control Point Pad™  
Flush Mount Template**

**NOTE:** If mounting template is obtained from the ACR website, any electronic media, or from a photocopy, please verify the dimensions of the scale shown with actual measuring device. Duplicate templates may not be of true 1:1 scale. Any deviation should be considered when using mounting template.

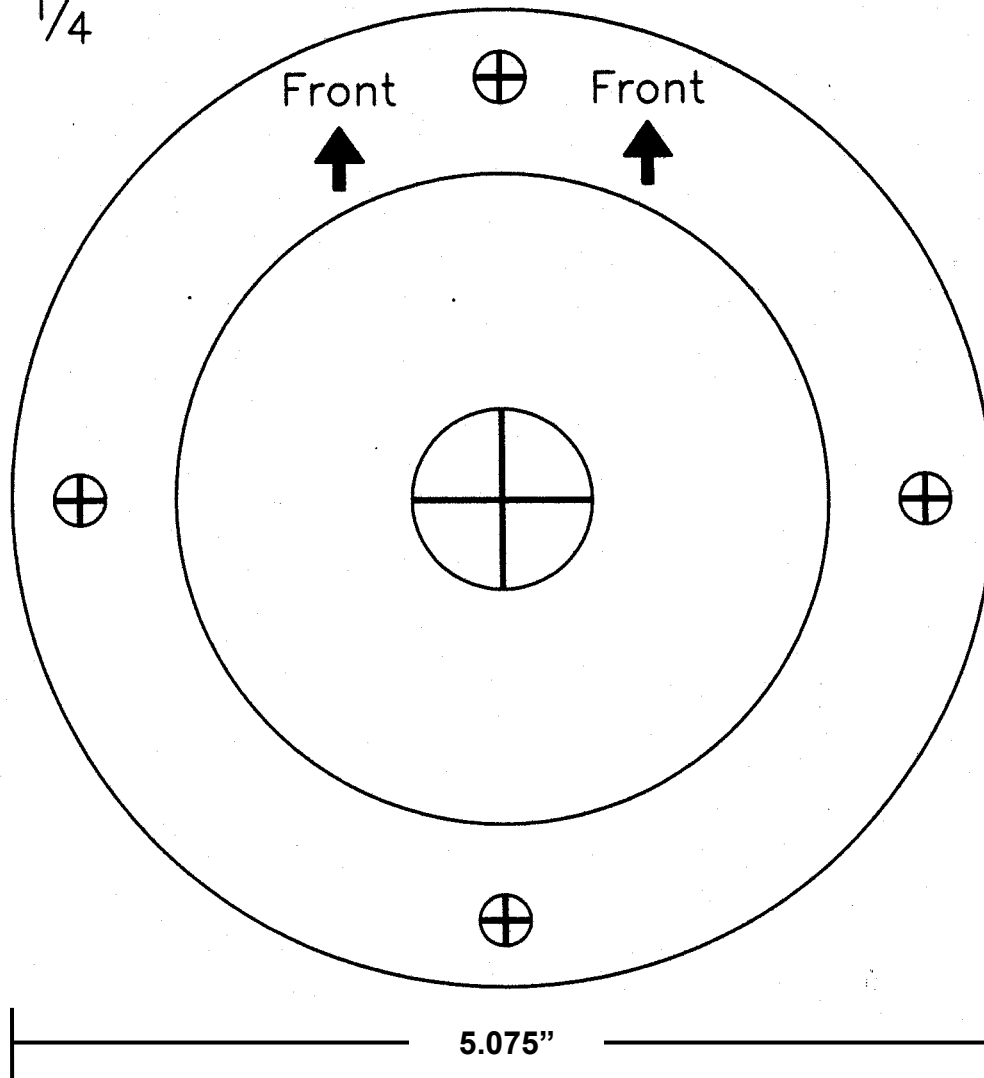
BOLT HOLE SIZE

4 PLACES

$\frac{1}{4}$

WIRE HOLE SIZE

$\frac{15}{16}$



Use caulk or bedding compound to seal bolt and wire holes before the light is attached to mounting plate.

#### Deck Mount Plate

**NOTE:** If mounting template is obtained from the ACR website, any electronic media, or from a photocopy, please verify the dimensions of the scale shown with actual measuring device. Duplicate templates may not be of true 1:1 scale. Any deviation should be considered when using mounting template.